

- KAWASAKI Z125 PRO ('16 on) (p.1)
- HONDA MSX125 GROM ('14-20) (p.1)
- HONDA CT125 ('20 on) (p.2)
- Suzuki DS 250SX ('23 on) (p.3)

Preparation: KAWASAKI Z125 PRO

Remove original bar end plug.

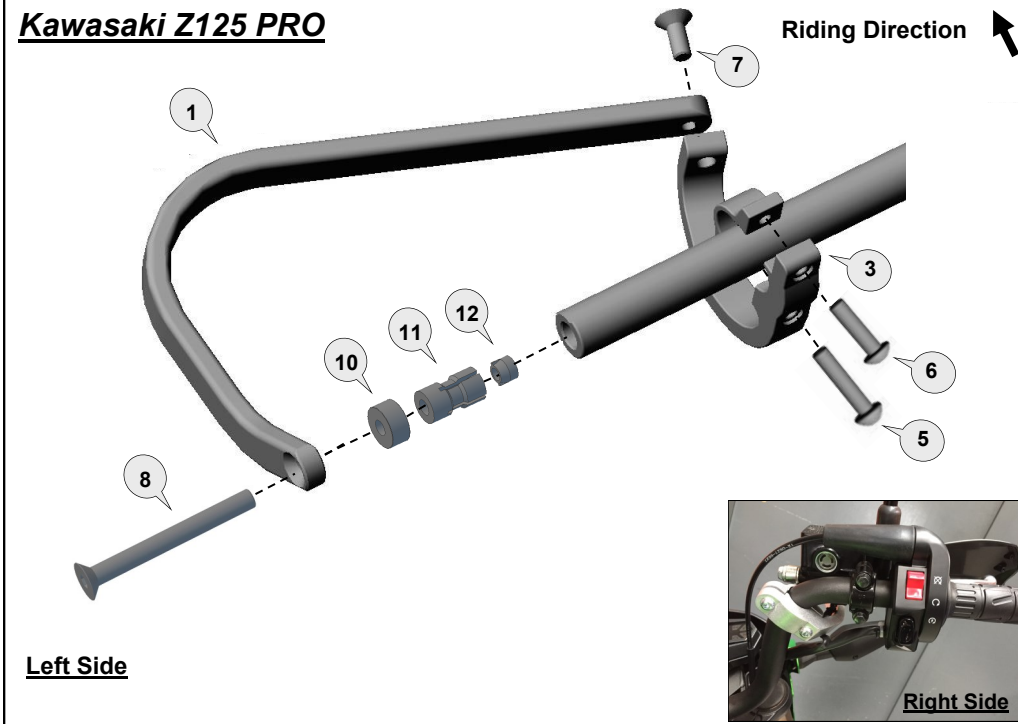
Fitting Procedure:

Fitting Procedure shown for the LEFT side

(repeat for RIGHT side with applicable parts)

- Loosely assemble clamp (3) below the bend of the handlebar and position as shown in image below.
- Loosely attach the handguard backbone with applicable parts to the handlebar end and also to the clamp.
- **Note:** The preferred backbone position is horizontal when viewed from the side.
- Tighten all bolts in the following order (8), then (7), then (5 and 6).
- Use recommended torque specifications over page.

Kawasaki Z125 PRO



FITTING TIP: Kawasaki Z125 PRO

Clamp is positioned below the bend of the handlebar as shown.

Preparation:

Remove original handlebar end weight and screw. **NOTE:** Retain original weight.

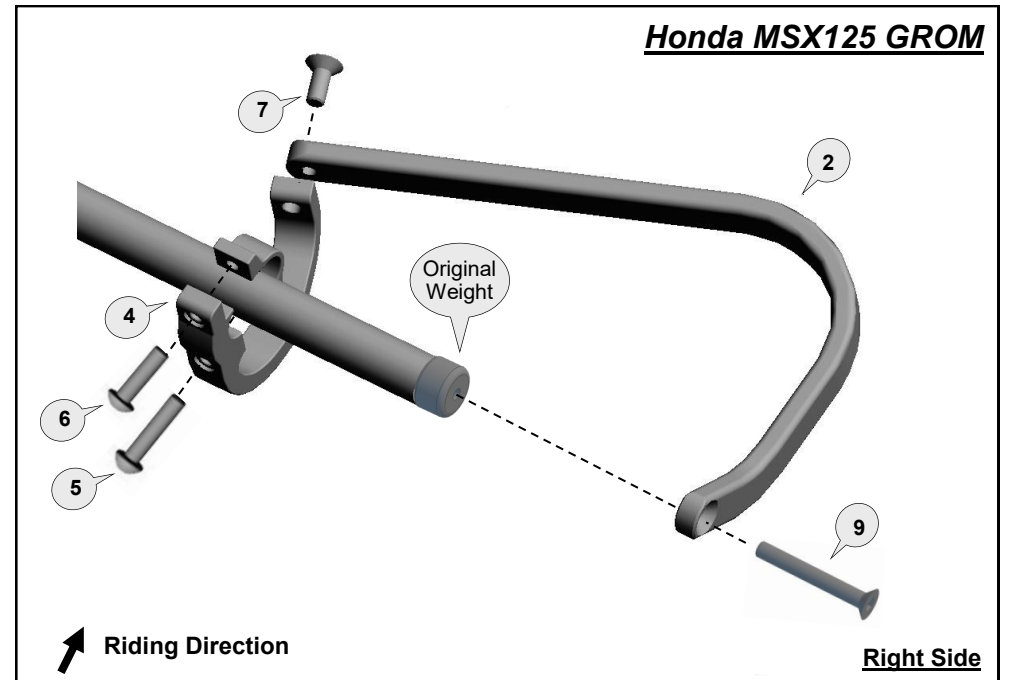
Fitting Procedure:

Fitting Procedure shown for the RIGHT side

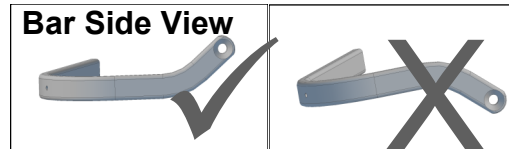
(repeat for LEFT side with applicable parts)

- Loosely assemble clamp (4) to the handlebar with applicable parts.
- **FITTING TIP:** Clamp is positioned at the handlebar bend.
- Loosely attach the handguard backbone with applicable parts to the handlebar end and also to the clamp.
- **Note:** The preferred backbone position is horizontal when viewed from the side.
- Tighten all bolts in the following order (9), then (7), then (5 and 6).
- Use recommended torque specifications over page.

Honda MSX125 GROM



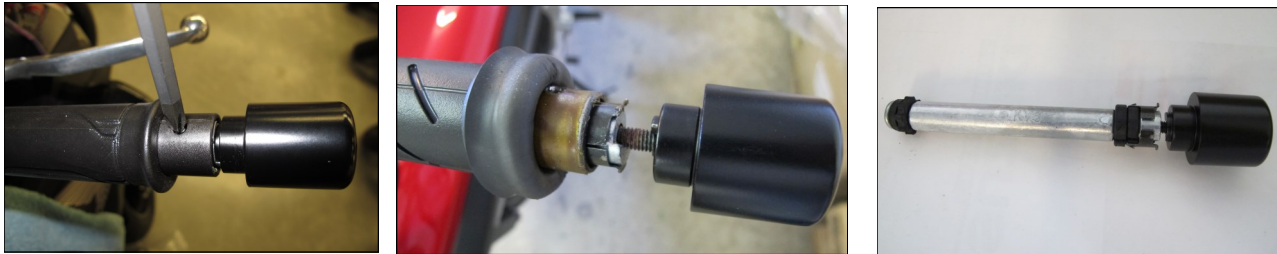
See below for correct bar



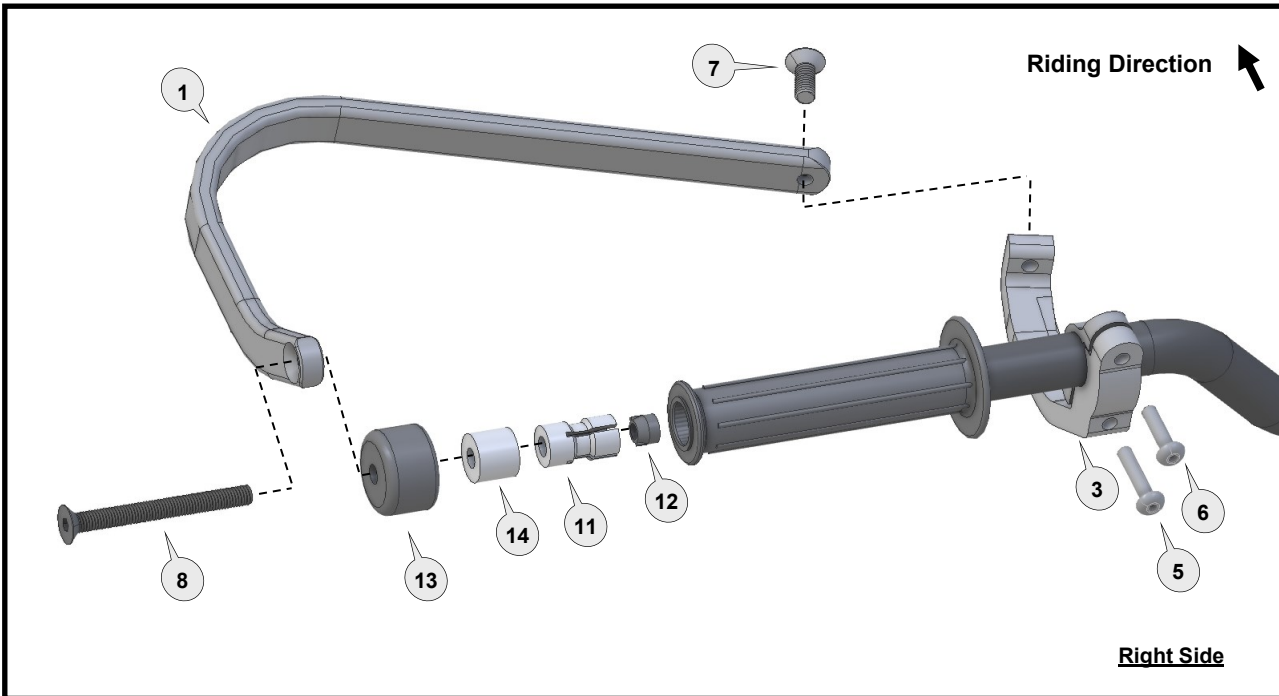
Preparation: Honda CT125

Remove original handlebar end weight with internal weight parts.

Left side, roll back hand grip and depress the two retaining clips through the holes in the handlebar with a screwdriver. There is one top and one bottom. To access holes on right side, unscrew throttle housing and separate the two halves enough to slide the twist grip in from the end. Leave handlebar weight connected to the internal weight to help with removing the internal parts. Pull on weight while pressing clips through hole. See images below.



Fitting Procedure:



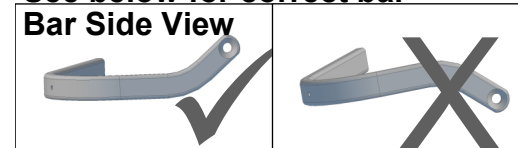
Fitting Procedure shown for the LEFT side
(repeat for RIGHT side with applicable parts)

- Loosely assemble clamp (3) to the handlebar with applicable parts.
- Loosely attach the handguard backbone (1) with applicable parts to the handlebar end and also to the clamp.

Note: The preferred backbone position is horizontal when viewed from the side.

- Tighten all bolts in the following order (8), then (7), then (5 and 6).
- Use recommended torque specifications over page.

See below for correct bar

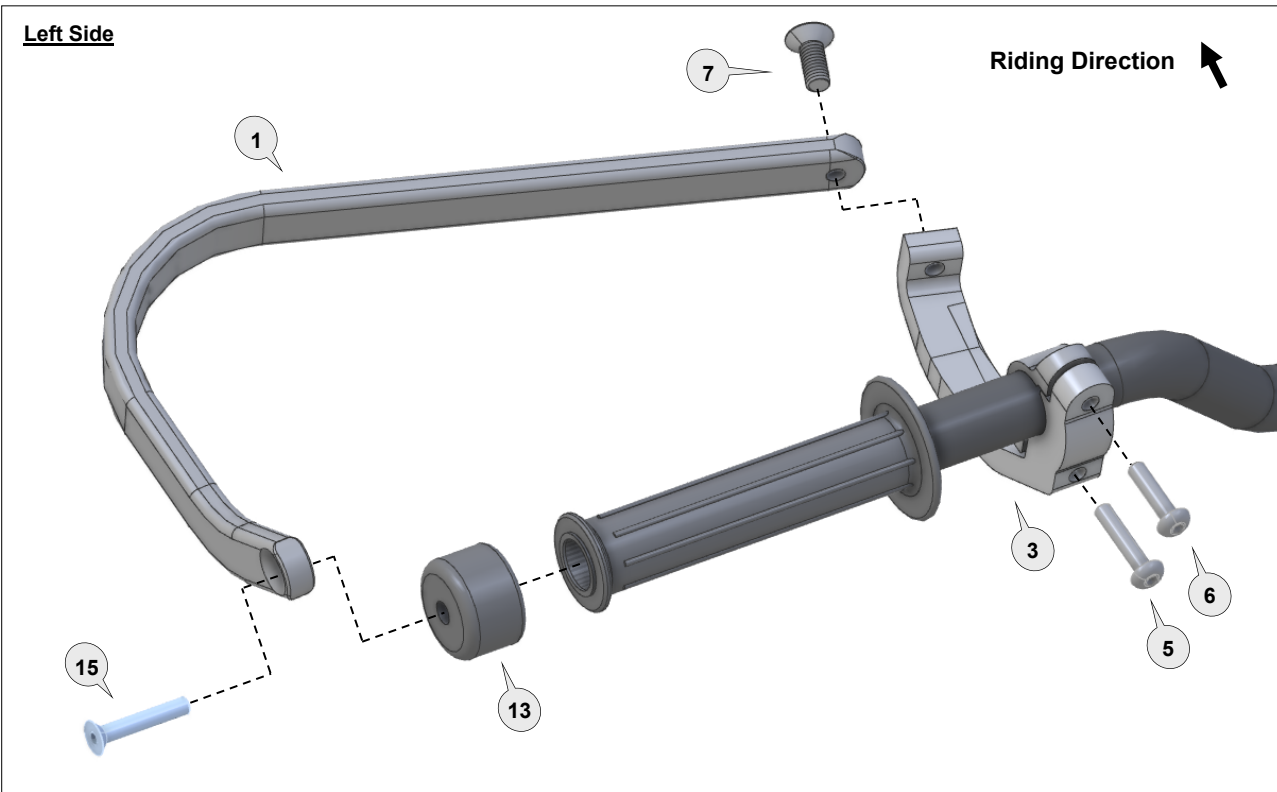


Preparation: Suzuki DS 250SX

Remove OEM handguard and bar end weight.

The brake perch might need to be moved slightly closer to the switch bock.

Fitting Procedure:



Fitting Procedure shown for the LEFT side (repeat for RIGHT side with applicable parts)

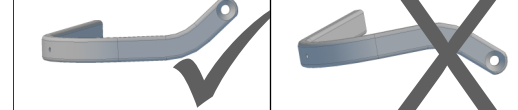
- Loosely assemble clamp (3) to the handlebar with applicable parts.
- Loosely attach the handguard backbone (1) with applicable parts (15) and (13) to the handlebar end and also to the clamp (7).





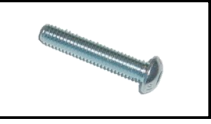


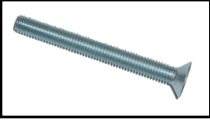
Note: The preferred backbone position is horizontal when viewed from the side.







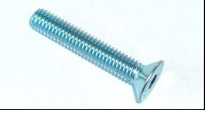
- Tighten all bolts in the following order (15), then (7), then (5 and 6) evenly.
- Use recommended torque specifications over page.

See below for correct bar

Bar Side View



<p>1 Aluminium Bar</p>  <p>PN: BAR-V-020-L Pcs. 1 Left</p>	<p>2 Aluminium Bar</p>  <p>PN: BAR-V-020-R Pcs. 1 Right</p>	<p>3 Clamp Frame & Saddle LEFT</p>  <p>PN: CFS-ADV-L Pcs. 1 set</p>	<p>4 Clamp Frame & Saddle RIGHT</p>  <p>PN: CFS-ADV-R Pcs. 1 set</p>	<p>5 Button Head Bolt 30mm</p>  <p>PN: M6X30BHCSZP Pcs. 2</p>	<p>6 Button Head Bolt 20mm</p>  <p>PN: M6X20BHCSZP Pcs. 2</p>	<p>7 Flat Head Bolt 20mm</p>  <p>PN: M8X20FHCSZP Pcs. 2</p>	<p>8 Flat Head Bolt 75mm</p>  <p>PN: M8X75FHCSZP Pcs. 2</p>
--	---	---	---	---	---	---	---

<p>9 Flat Head Bolt 60mm</p>  <p>PN: M6X60FHCSZP Pcs. 2</p>	<p>10 Spacer</p>  <p>PN: BSSRT20 Pcs. 2</p>	<p>11 Expander</p>  <p>PN: BBE17 Pcs. 2</p>	<p>12 Taper Nut</p>  <p>PN: NUT12 Pcs. 2</p>	<p>13 Bar End Weight</p>  <p>PN: BEW35 Pcs. 2</p>	<p>14 Spacer</p>  <p>PN: SP17-20-8 Pcs. 2</p>	<p>15 Flat Head Bolt 35mm</p>  <p>PN: M6X35FHCSZP Pcs. 2</p>
---	---	---	---	---	---	--

Personalise Your Protection
Guard options sold separately

JET JET-003
VPS VPS-003
Storm STM-003
CARBON BCF-003

Recommended Torque Settings	
M6	10 Nm (7.4 lbf ft)
M8	20 Nm (14.8 lbf ft)



Email: info@barkbusters.net
Web: www.barkbusters.net



CAUTION:

Installation of the handguard is safety-relevant work and can be complicated. We recommend the installation be performed by a motorcycle service technician. Rideworx accepts no liability for damages caused by improper mounting. All screws, bolts and nuts, including all replacement hardware provided by Rideworx, should be tightened to the torque specified in the table. After the first 50km of riding check all screws, bolts and nuts are tightened to the correct torque. We recommend a medium strength liquid thread lock product on all fasteners.

WARNING:

Check operation of all handlebar controls, specifically the throttle, front brake, kill switch and clutch to ensure they are operating correctly and are in accordance with the OEM specifications. Do not ride the motorcycle if any controls are not operating correctly or if rear view mirror vision is obscured. Check periodically that all bolts are tight.

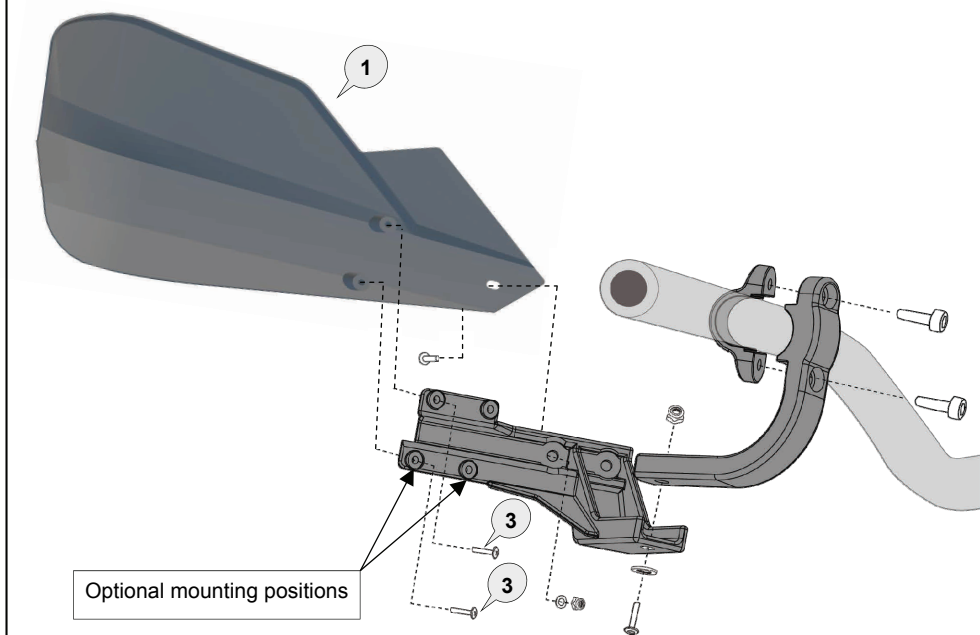
Disclaimer:

A failure to follow these fitting instructions could cause serious injury, death or property damage. These handguards are intended solely for use with motorcycles/ATV/snowmobiles/scooters that have not been modified. They are not designed to prevent injury or death while riding or in an accident or crash. The user must ensure that all controls are free of the handguards every time that they ride. By installing and/or using this product you acknowledge that you accept these terms and have followed the fitting instructions.

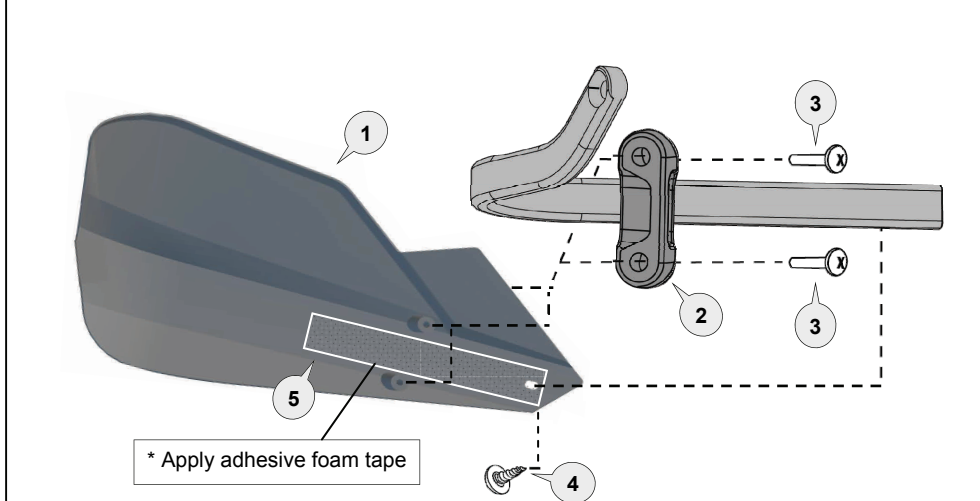
Barkbusters

FITTING INSTRUCTIONS for Carbon Fibre Handguard

Option for fitting with **Single Point Handlebar Mount** (sold separately)



Option for fitting with Barkbusters **Aluminium Backbone** (sold separately)



1 Carbon Fibre Guard



PN: BCF
Pcs. 2 (L/R)

2 Saddle



PN: Storm-Saddle
Pcs. 2

3 Pan Head Screw




PN: M4x10PHZP
Pcs. 4

4 Screw



PN: STSZ811MX11
Pcs. 2

5 Foam Tape



PN: FT1
Pcs. 2

CAUTION:
Installation of the handguard is safety-relevant work and can be complicated. We recommend the installation be performed by a motorcycle service technician. Rideworx accepts no liability for damages caused by improper mounting. All screws, bolts and nuts, including all replacement hardware provided by Rideworx, should be tightened to the torque specified in the below table. After the first 50km of riding check all screws, bolts and nuts are tight. We recommend a medium strength liquid thread lock product on screw (3).

WARNING:
Check operation of all handlebar controls, specifically the throttle, front brake, kill switch and clutch to ensure they are operating correctly and are in accordance with the OEM specifications. Do not ride the motorcycle if any controls are not operating correctly. Check periodically that all bolts are tight.

Disclaimer:
A failure to follow these fitting instructions could cause serious injury, death or property damage. These handguards are intended solely for use with motorcycles/ATV/snowmobiles/scooters that have not been modified. They are not designed to prevent injury or death while riding or in an accident or crash. The user must ensure that all controls are free of the handguards every time that they ride. By installing and/or using this product you acknowledge that you accept these terms and have followed the fitting instructions.



Phone: +61 (0)2 4271 8244
Email: info@barkbusters.net
Web: www.barkbusters.net