

## **38406M/S** Moto Guzzi V100 Mandello Engine Guard 2022> Fitting Instructions

### Kit Includes:

1.	X1	38406M/S	V100 Mandello Engine Guard
2.	X4	CBOLM60024	M6 x 45mm Button-Head Bolt
3.	X8	CWASM60001	M6 Flat Steel Washer
4.	X4	CSPAM60021 / 22	M6 x 12mm Spacer

Please note: The colour of the M6 spacer (Item 4) will be determined by the colour of the Engine Guard (Item 1) purchased. Black M6 spacers will be included with 38406M and silver M6 spacers will be included with 38406S.

### Assembly Instructions

Before commencing the installation, it is advisable to fully clean the engine area to ensure that all mounting areas are free from debris.

- Begin by removing the lower OEM M6 bolts (x4) from the engine casing. You may wish to disassemble the horn from its mounting position. This will help with the tightening of the upper right hand bolt. Please take care when lowering the horn to avoid any unwanted damage and refer to 'FIG. 3'.
- Before fitting the Engine Guard (Item 1), please refer to 'FIG. 2' to understand the fixing arrangement. Use 1 x M6 bolt (Item 2), 1 x M6 spacer (Item 4) and 2 x M6 washers (Item 3) to initially locate the Engine Guard (Item 1) on the V100 Mandello. Please ensure this bolt has only been threaded a few turns.
- Repeat the previous step for the remaining mounting locations. Once all fixings have been partially threaded, proceed to fully tighten each bolt until sufficient resistance is felt. Please ensure the Engine Guard remains in parallel with the engine whilst fully tightening. This can be achieved by evenly threading the bolts until completion.
- Installation of the Moto Guzzi V100 Mandello Engine Guard is now complete.

**Please Note: We recommend using thread lock on the bolts supplied in this kit. Thread lock is not included. We advise that all fixings are checked periodically.**

**FIG. 1**

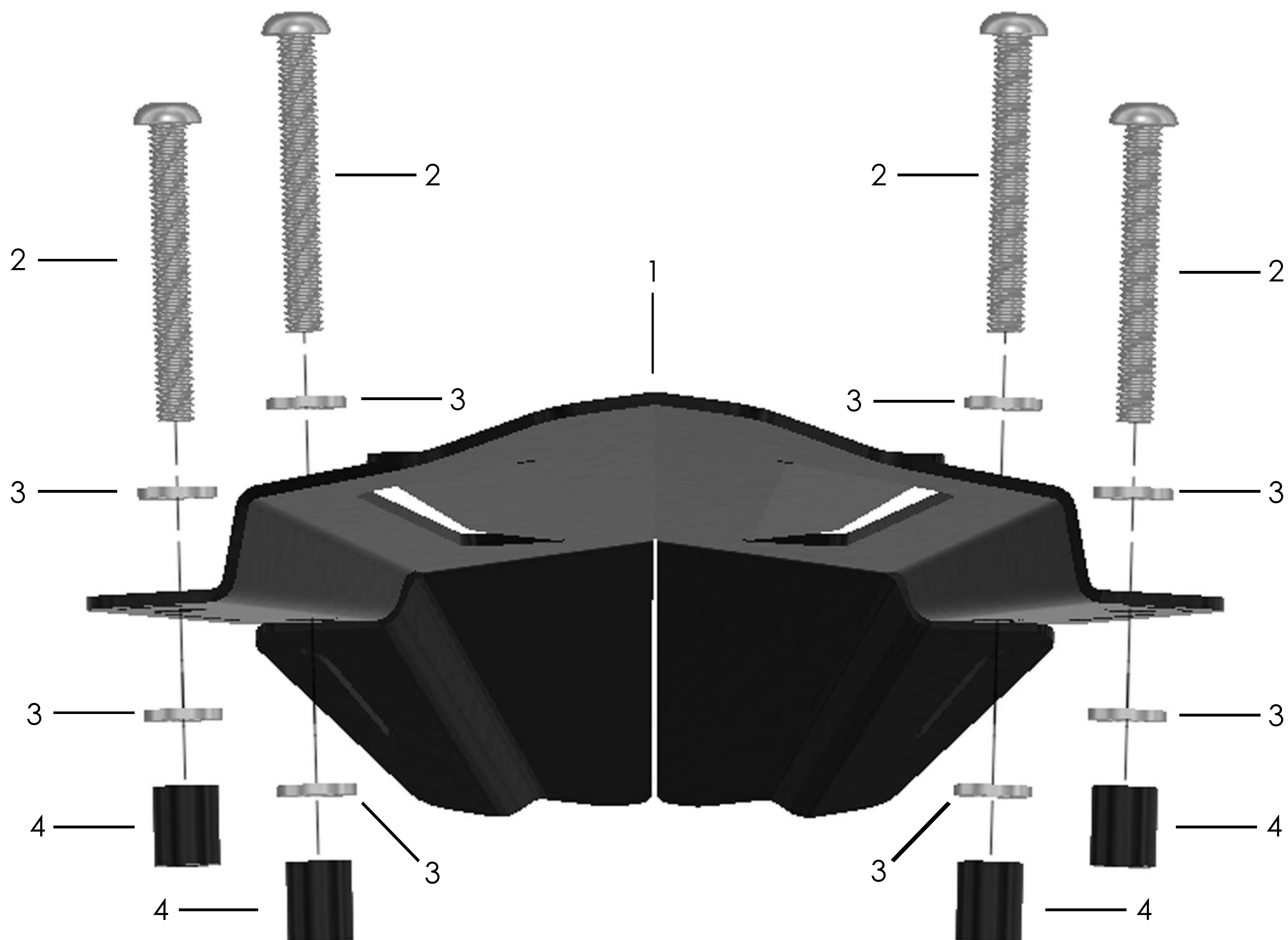


Any questions?  
sales@pyramidmoto.co.uk  
+44 (0)1427 677990  
www.pyramidmoto.co.uk



Follow us on social media and feel free to leave us a review!

### FIG. 2



### FIG. 3

'FIG. 3' shows the location of the horn, should it need to be removed during installation.



Any questions?  
sales@pyramidmoto.co.uk  
+44 (0)1427 677990  
www.pyramidmoto.co.uk



Follow us on social media and feel free to leave us a review!