

38405 Moto Guzzi V100 Mandello Engine Guard Fitting Instructions

Kit Includes:

| | | |
|----|------------|-------------------------------------------------------------|
| 1X | C38405 | Engine Guard |
| 3X | CFK38405 | Brackets |
| 6X | CBOLM60001 | M6 X 16mm Flanged Button Head Bolt |
| 6X | CWASM60004 | M6 Plastic Washer |
| 4X | CBOLM80017 | M8 X 12mm Flanged Button Head Bolt |
| 6X | CNUTM60010 | M6 Aluminium Rivet Nuts (Pre-fitted to brackets by Pyramid) |

Helpful notes: A paddock stand can assist when fitting this product.
Place something soft underneath the bike when positioning the engine guard to avoid damage.
A small box/block of the appropriate size can be useful for positioning/fitting the engine guard.

Attach the brackets to the engine using the M8 + OEM fittings as shown in **Fig 1** below (fully tighten).

Attach the engine guard to the brackets using the M6 fittings supplied (loosely tightening at first is helpful for a successful fit).

Check fixings periodically.

Fig 1

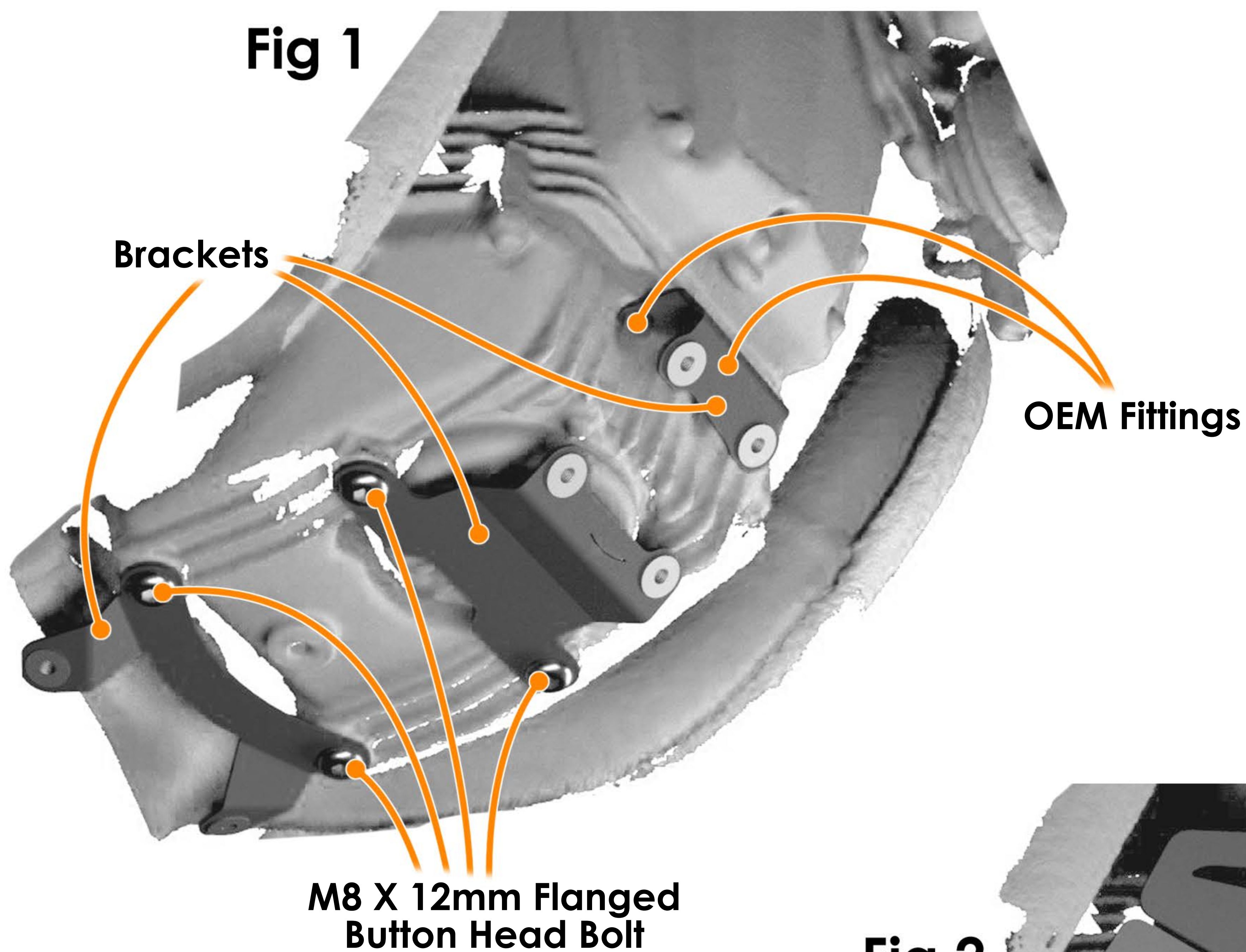
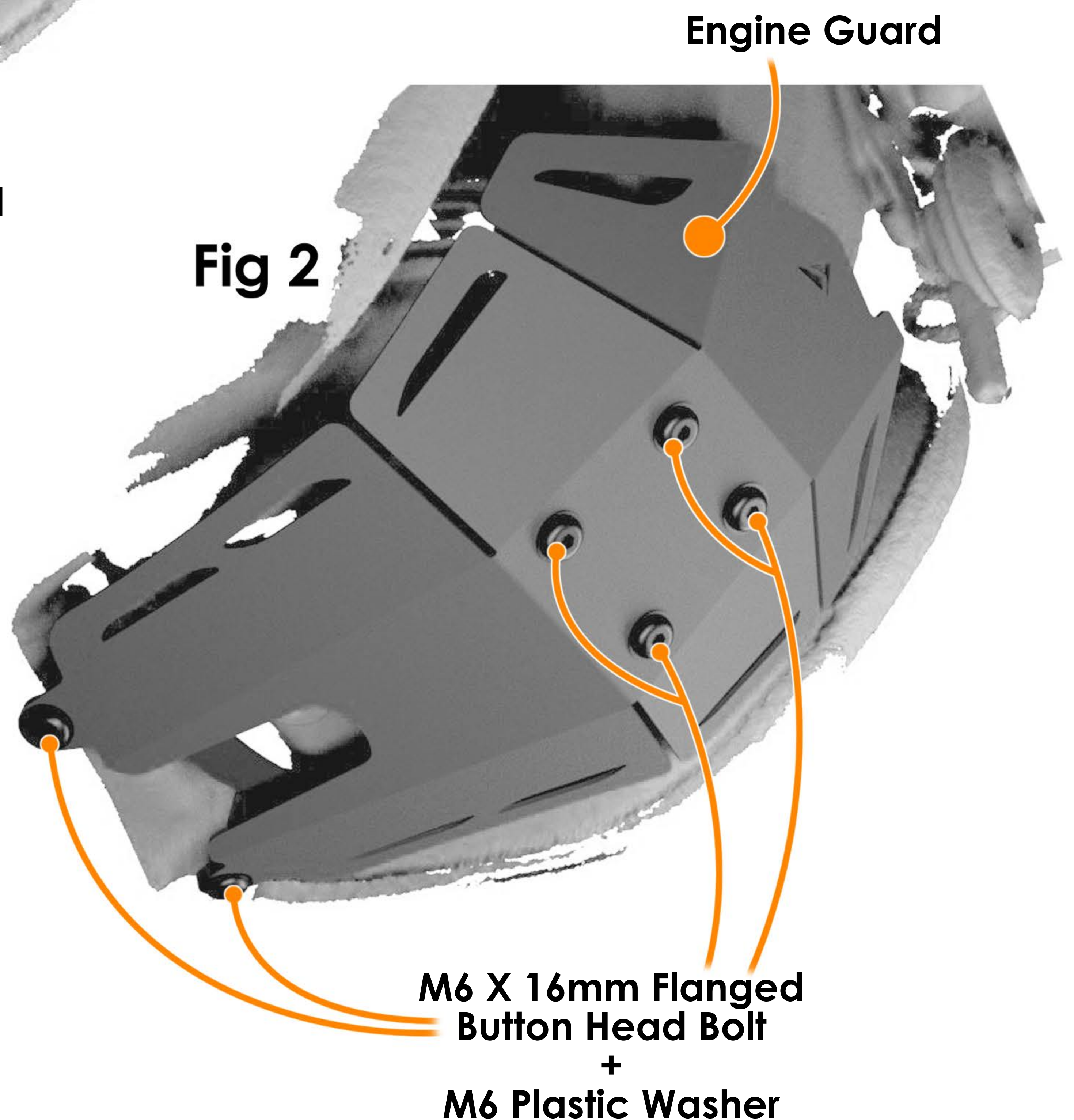


Fig 2



Any questions?
sales@pyramid-plastics.co.uk
+44 (0)1427 677990
www.pyramid-plastics.co.uk



Follow us on social media and feel free to leave us a review!