

## 058085 Moto Guzzi V85TT Front Guard Fitting Instructions

### Kit Includes:

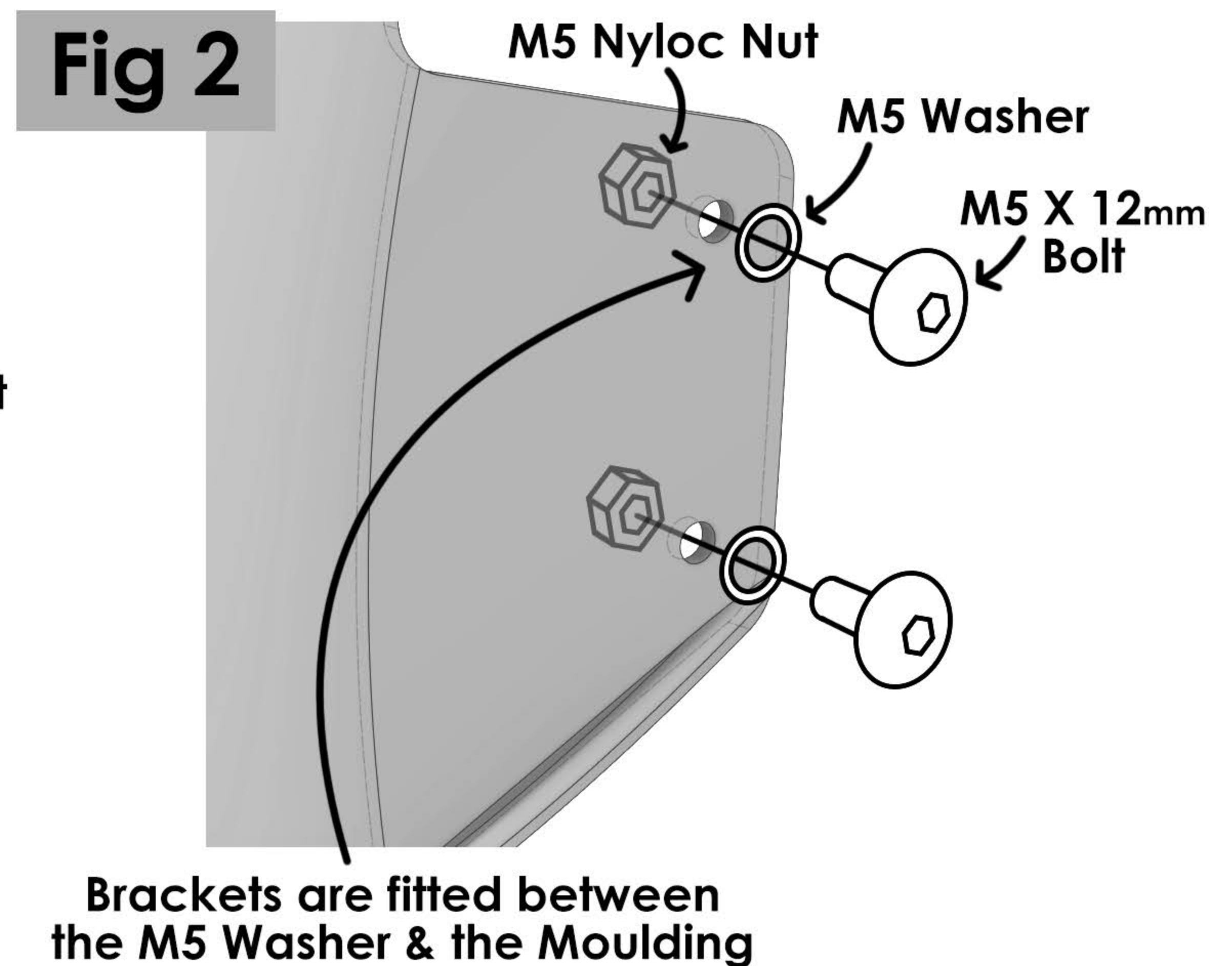
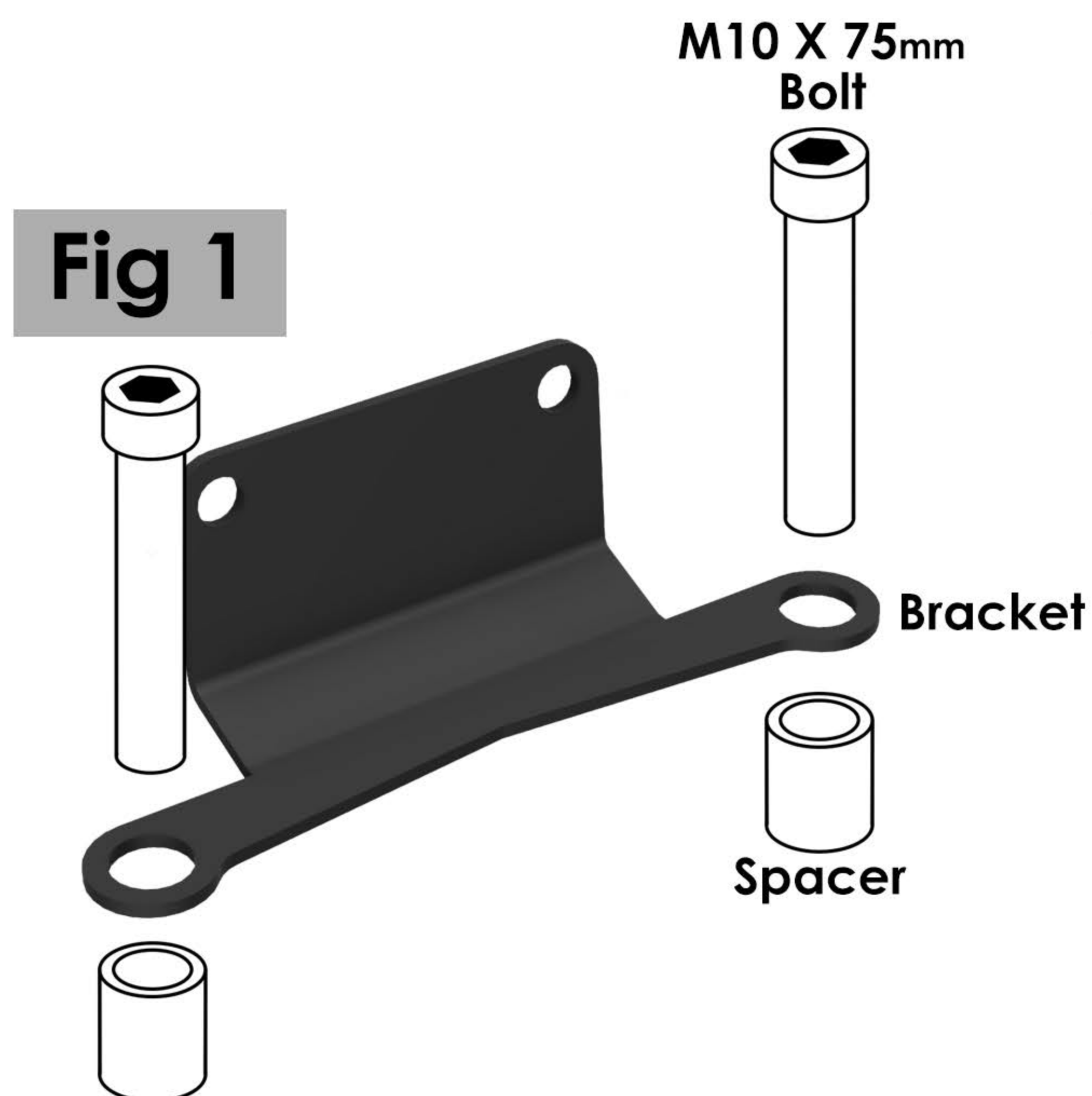
1X	C058085	Moulding
2X	CFK058085	Brackets
4X	CBOL2175	M10 X 75mm Bolts
4X	CBOL0106	M5 X 12mm Bolts
4X	CSPA0036	Spacers
4X	CNUT0150	M5 Nyloc Nuts
4X	CWAS0100	M5 Washers

### Product not recommended for use with oversized tyres.

- The Pyramid V85TT Front Guard fits using the brake caliper mounting points. Firstly remove these bolts and fit the brackets supplied using the M10 X 75mm Bolts & Spacers (as shown in **Fig 1**).

**Please note** that only a single mounting point should be undone at one time. Undo the first mounting point and fit the bracket assembly. Then move on to the second mounting point and repeat the process. This will ensure that the caliper never comes away from the disc.

- Once both brackets are in place on each side, attach the moulding to the brackets using the M5 x 12mm Bolts, M5 Nyloc Nuts & M5 Washers (as shown in **Fig 2**).
- Be sure to check all fixings periodically.



Any questions?  
[sales@pyramid-plastics.co.uk](mailto:sales@pyramid-plastics.co.uk)  
 +44 (0)1427 677990  
[www.pyramid-plastics.co.uk](http://www.pyramid-plastics.co.uk)



Follow us on social media and feel free to leave us a review!