

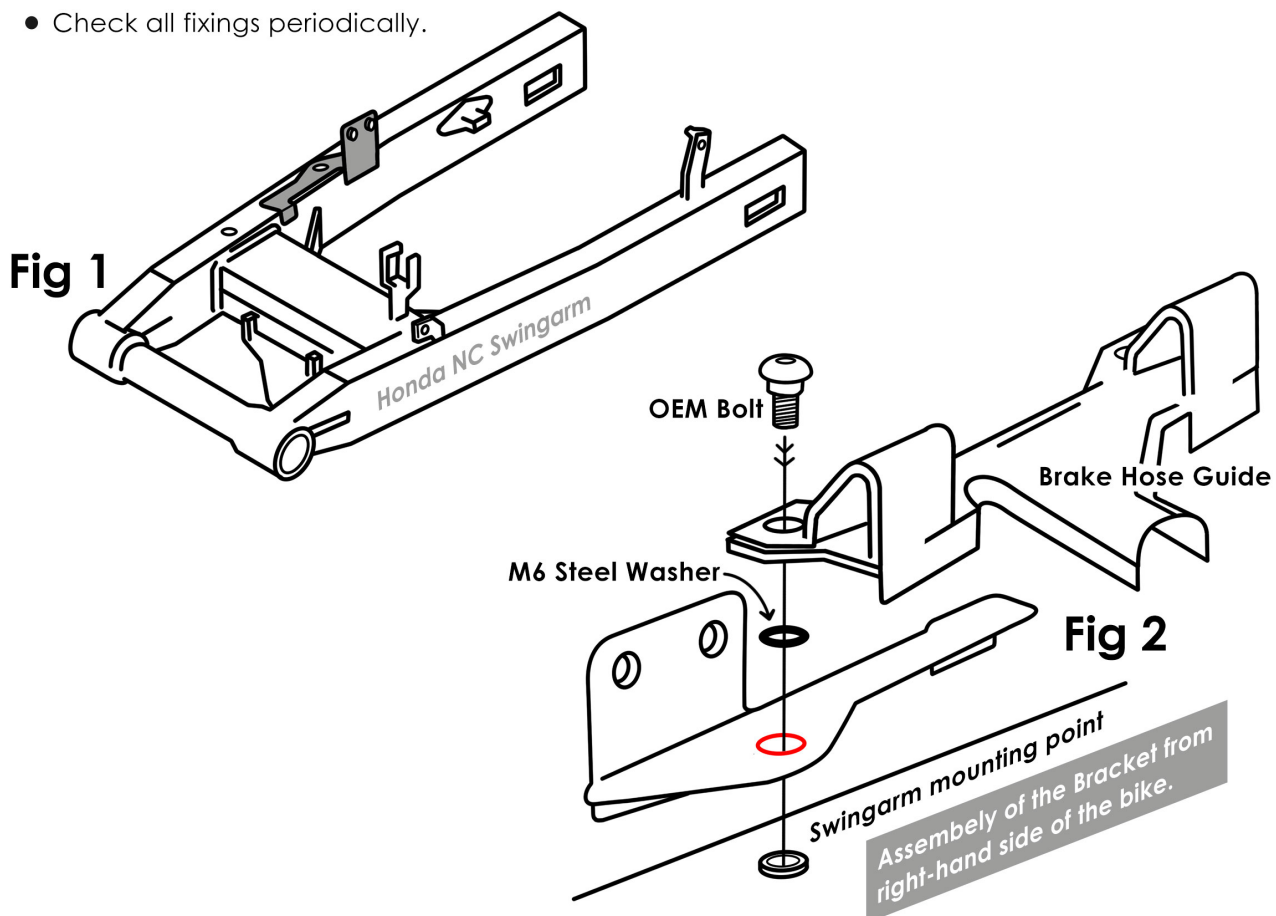
PYRAMID

071973 Honda NC700 S & X / NC750 S & X Hugger Fitting Instructions

Kit Includes:

1X	Mounting Bracket	CFK071973
2X	M6 X 16mm Bolts	CBOL0251
2X	M5 X 12mm Bolts	CBOL0110
2X	Rubber Grommets	CGRO0013
2X	M6 X 8mm Steel Collars	CGRO0016
1X	M6 Steel Washer	CWAS0201
2X	M5 Plastic Washers	CWAS0100

- Firstly remove the OEM Chainguard. The OEM bolts removed here are not used in the assembly of the Pyramid Hugger.
- Remove the rear most mounting point of the brake hose guide situated on the right-hand side of the swingarm. The **Mounting Bracket** fits underneath this brake hose guide, (see **Fig 2**) be sure to place the **M6 Steel Washer** inside the mounting point (marked **RED** in **Fig 2**) before refitting the brake hose guide on top of the **Mounting Bracket**. This prevents the OEM bolt from crushing the brake hose guide.
- Attach the Pyramid Hugger & **Mounting Bracket** using the 2X **M5 X 12mm Bolts** & 2X **M5 Plastic Washers**.
- Finally fit the chain guard side of the Pyramid Hugger using the 2X **M6 X 16mm Bolts**, 2X **M6 X 8mm Steel Collars** & 2X **Rubber Grommets**. It is always advised to loosely tighten all mountings before fully tightening.
- Check all fixings periodically.



Got questions?
sales@pyramid-plastics.co.uk
+44 (0) 1427 677990
www.pyramid-plastics.co.uk



Follow us on social media and feel free to leave us a review!