

# PYRAMID



## 073880 Kawasaki Z900 & Z900RS Hugger Instructions

Kit Includes:

1X M6 X 25mm Black Button Head Bolt

CBOL0225

1X M6 Black Spacer

CSPA0004

3X 13mm Grommets

CGRO0013

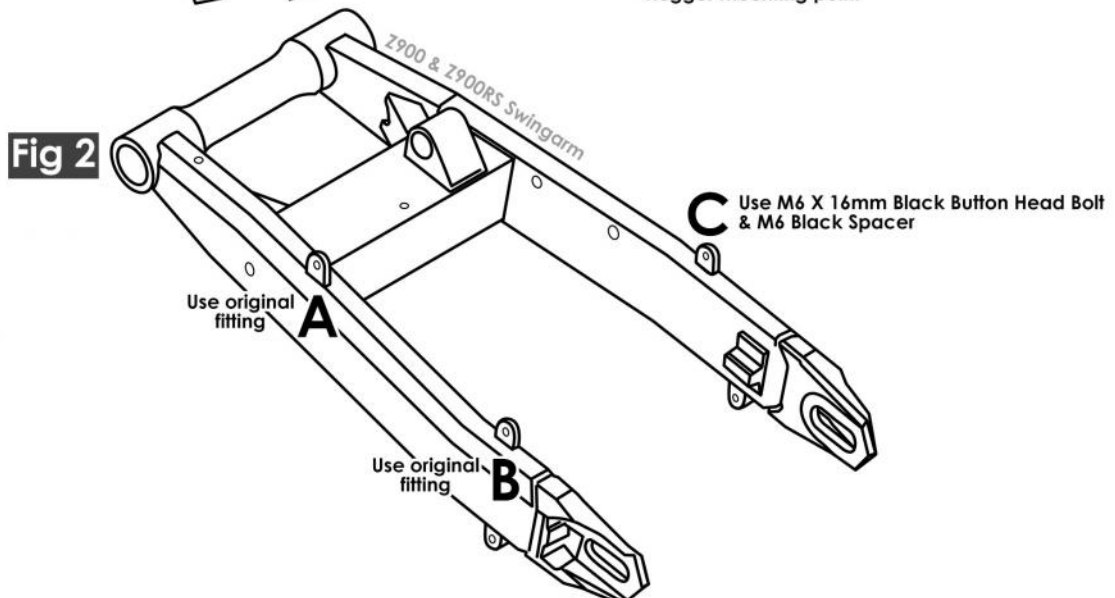
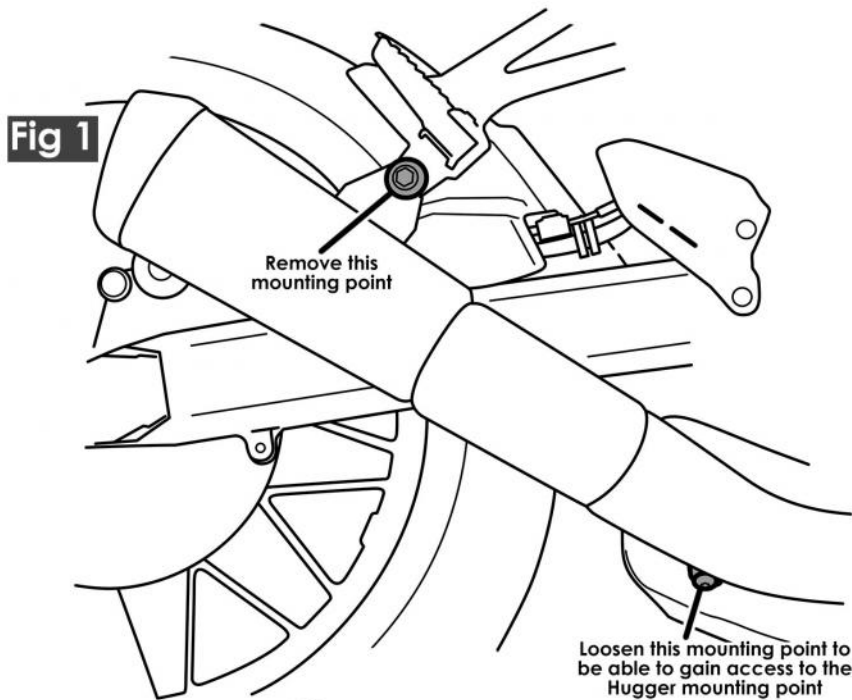
3X 6mm Steel Collars

CGRO0017

1X Black Rubber Trim (270mm)

C08002A

- Firstly fit the three 13mm Grommets & 6mm steel collars to the Pyramid Hugger. The Black Rubber Trim (270mm) can be cut down and attached to the bottom edges of the Pyramid Hugger to prevent any scratching on the swingarm.
- Remove the OEM Hugger and place all fittings to one side.  
**Please note:** you may need to temporarily loosen the exhaust can to gain access to the mounting point behind it (See Fig 1).
- Place the Pyramid Hugger over the rear wheel and loosely fit into place taking note of the fittings mentioned in Fig 2.
- Once loosely fitted, tighten up all of the mounting points evenly.  
If the exhaust can was adjusted for fitment, it can now be refitted.
- Be sure to check mounting points periodically.



Got questions?  
sales@pyramid-plastics.co.uk  
+44 (0)1427 677990  
www.pyramid-plastics.co.uk

Follow us on social media and feel free to leave us a review!

