

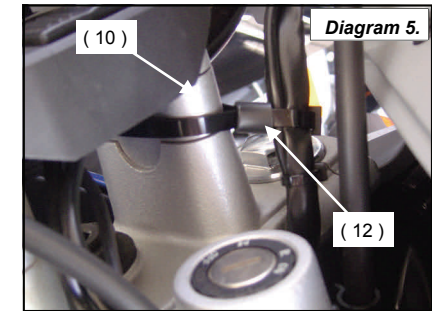
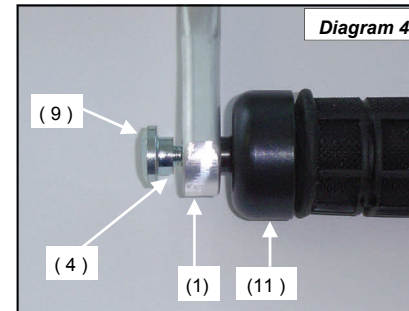
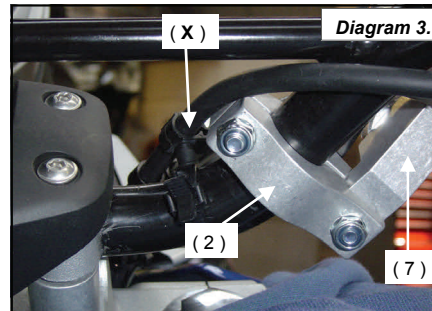
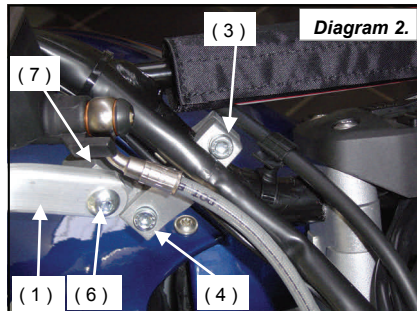
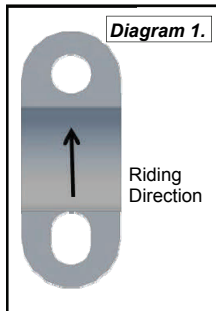
Barkbusters

www.barkbusters.net

FITTING INSTRUCTIONS for
BMW F650GS

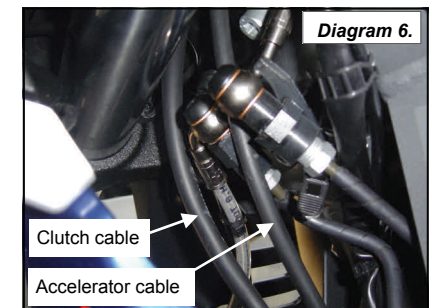
Preparation

Remove original handguards and bar end weights. Also remove the cable ties from the handlebar to free up the cables and handlebars during the installation process. Remove the centre switch panel from above the handlebar mounting bolts (if fitted) by unscrewing the four 5mm screws. Remove the four bolts that hold the handlebar to the top triple clamp.



Fitting Procedure

- Lift up the handlebar and fit the two 20mm raisers between the bottom of the handlebar and the top triple clamp. **Note: the holes in the raisers are offset and must be fitted in the correct direction so the holes line up with the threaded holes in the triple clamp. (Diagram 1)**
- Secure the handlebar with supplied longer bolts (8) and tighten to 20Nm. Refit centre switch panel.
- Loosely assemble the clamps to the handlebar with applicable parts (**Diagram 2 front view & Diagram 3 rear view**). **Note: the original accelerator cable holder (X) should be positioned below the clamp.**
- Attach the handguard backbone with applicable parts to the handlebar end (**Diagram 4**) and also to the clamp connector (7) (**Diagram 2**). Position backbone so it is horizontal when viewed from the side and tighten bar end bolt (4). **Note: you may need to adjust the position of the handguards and the handlebars a little so the handguards do not touch the fairing or instruments when the steering is at full lock.**
- Important: The clamp bolts must be tightened in the following order. (Diagram 2).**
Tighten bolt (6) through the handguard to the connecting arm (7).
Tighten bolt (4) to solidly lock the connecting arm between the two halves of the clamp.
Tighten bolt (3) to secure the clamp firmly to the handlebar.
Note: The clamp is designed to allow the nut on bolt (4) to pull into the recessed hole. This eliminates the need for a wrench after the bolt starts to tighten.
- Thread a cable tie through the supplied black plastic spacer (12) around the electrical cables, back through the plastic spacer and around the handlebar raiser. Tighten cable tie as shown in **Diagram 5. Note: this is to hold the wiring in position so it will not be pulled tight when the steering is turned.**
- ABS models:** The accelerator cable should be located between the two ABS hose fittings on the left side of the steering head. (**Diagram 6**). **Important:** check the routing and free play of all cables when the steering is at left and right full lock. Re-route or pull through extra cable of any cables that are tight and recheck that all cables have sufficient free play on both steering locks.



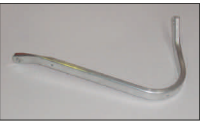
Personalise Your Protection
Guard options sold separately

JET	JET-003
VPS	VPS-003
Storm	STM-003
CARBON	BCF-003

RIDEWORX


Phone: +61 (0)2 4271 8244
Email: info@barkbusters.net

1 Aluminium Bar



PN: BAR-V-031
Pcs. 1 Left & 1 Right

2 Clamp Saddle




PN: CS-STD
Pcs. 4 pieces

3 Socket Head Bolt 30mm



PN: M6x30SHCSZP
Pcs. 2

4 Socket Head Bolt 25mm



PN: M6x25SHCSZP
Pcs. 4

5 Nylock Nut 6mm



PN: M6LN
Pcs. 4

6 Button Head Bolt 25mm



PN: M8x25BHCSZP
Pcs. 2

7 Clamp Connector




PN: CAF650
Pcs. 2

8 Bolt



PN: M8x60F650
Pcs. 4

9 Bolt Adaptor



PN: S7-BA
Pcs. 2

10 Handlebar Raiser



PN: CRF650
Pcs. 2

11 Bar End




PN: BE-F650
Pcs. 2

12 Black Tube



PN: BLACKTUBE
Pcs. 1

13 Cable Tie



PN: CTie280x4.6
Pcs. 2



Recommended Torque Settings	
M6	10 Nm (7.4 lbf ft)
M8	20 Nm (14.8 lbf ft)

CAUTION:

Installation of the handguard is safety-relevant work and can be complicated. We recommend the installation be performed by a motorcycle service technician. Rideworx accepts no liability for damages caused by improper mounting. All screws, bolts and nuts, including all replacement hardware provided by Rideworx, should be tightened to the torque specified in the below table. After the first 50km of riding check all screws, bolts and nuts are tightened to the correct torque. We recommend a medium strength liquid thread lock product on all fasteners.

WARNING:

Check operation of all handlebar controls, specifically the throttle, front brake, kill switch and clutch to ensure they are operating correctly and are in accordance with the OEM specifications. Do not ride the motorcycle if any controls are not operating correctly. Check periodically that all bolts are tight.

Disclaimer:

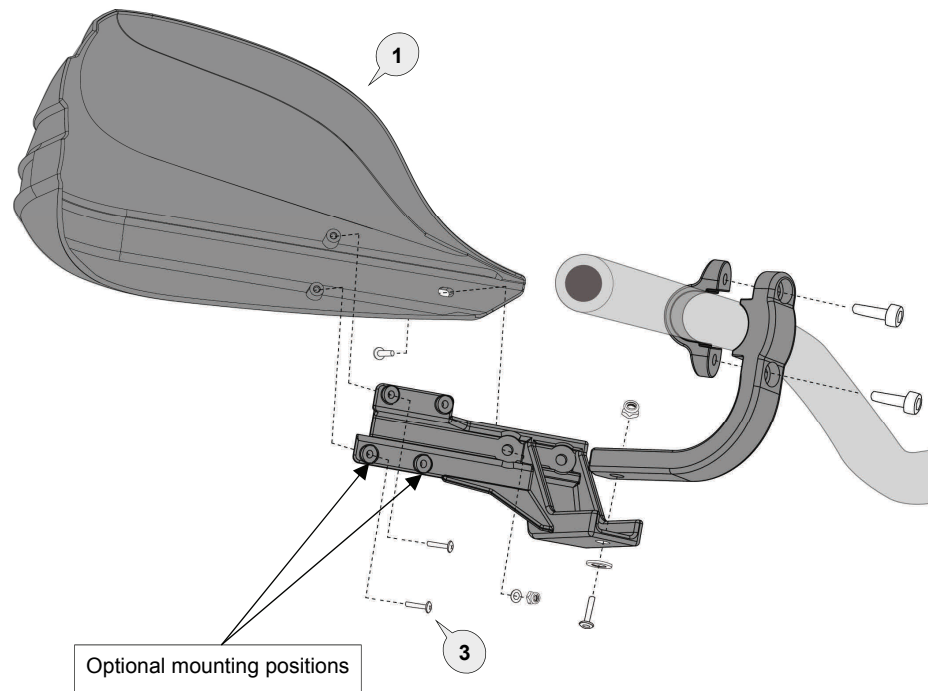
A failure to follow these fitting instructions could cause serious injury, death or property damage. These handguards are intended solely for use with motorcycles/ATV/snowmobiles/scooters that have not been modified. They are not designed to prevent injury or death while riding or in an accident or crash. The user must ensure that all controls are free of the handguards every time that they ride. By installing and/or using this product you acknowledge that you accept these terms and have followed the fitting instructions.



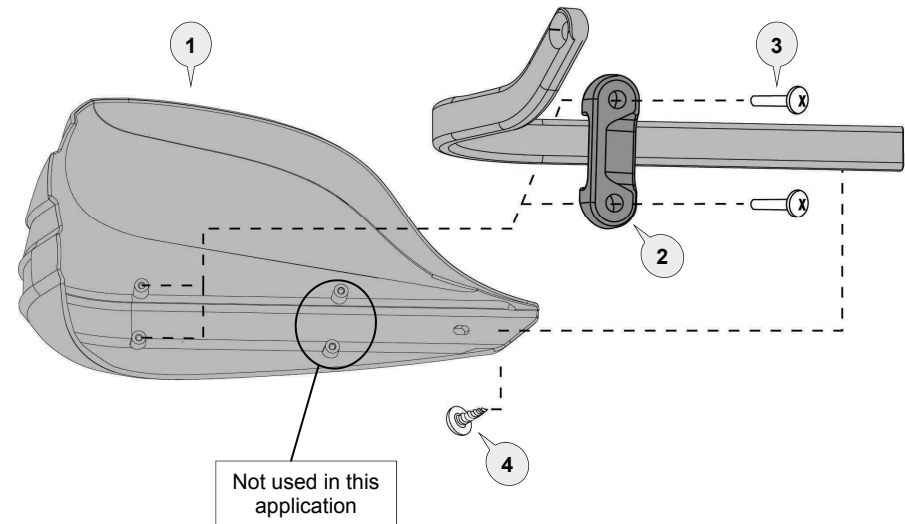
Phone: +61 (0)2 4271 8244
Email: info@barkbusters.net
Web: www.barkbusters.net



Option for fitting with **Single Point Handlebar Mount**



Option for fitting with **Aluminium Backbone**





CAUTION:

Installation of the handguard is safety-relevant work and can be complicated. We recommend the installation be performed by a motorcycle service technician. Rideworx accepts no liability for damages caused by improper mounting. All screws, bolts and nuts, including all replacement hardware provided by Rideworx, should be tightened to the torque specified in the below table. After the first 50km of riding check all screws, bolts and nuts are tightened to the correct torque. We recommend a medium strength liquid thread lock product on all fasteners.

WARNING:

Check operation of all handlebar controls, specifically the throttle, front brake, kill switch and clutch to ensure they are operating correctly and are in accordance with the OEM specifications. Do not ride the motorcycle if any controls are not operating correctly. Check periodically that all bolts are tight.

Disclaimer:

A failure to follow these fitting instructions could cause serious injury, death or property damage. These handguards are intended solely for use with motorcycles/ATV/snowmobiles/scooters that have not been modified. They are not designed to prevent injury or death while riding or in an accident or crash. The user must ensure that all controls are free of the handguards every time that they ride. By installing and/or using this product you acknowledge that you accept these terms and have followed the fitting instructions.



Phone: +61 (0)2 4271 8244
Email: info@barkbusters.net
Web: www.barkbusters.net

