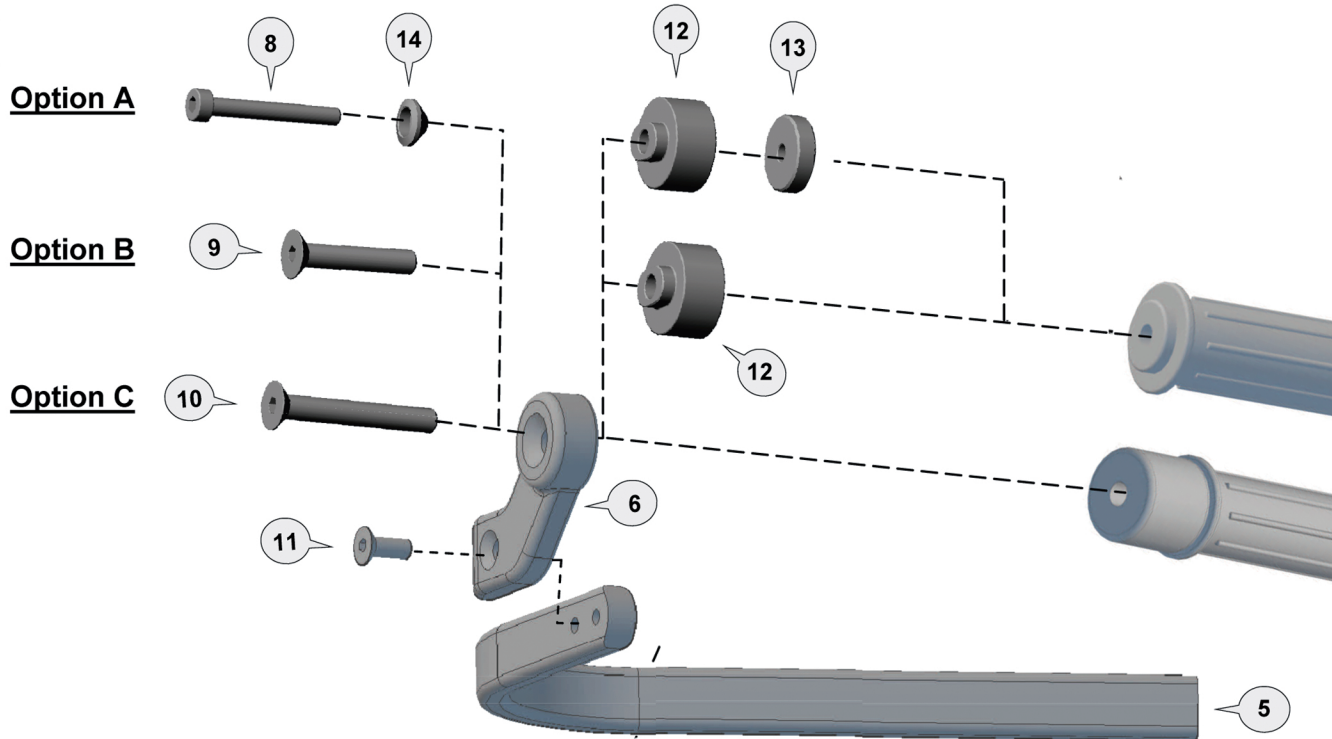


LEFT SIDE



Option A

Handlebars with fixed 6mm internal thread. Triumph models with 5mm thread we recommend to drill and tap to 6mm.

Option B

Handlebars with fixed 8mm internal threads (must remove handlebar end weights). Fits many Kawasaki models with handlebar protruding past the end of the grips when bar end weight is removed.

Option C

Handlebars with fixed 8mm internal thread (must leave handlebar end weight in place). Fits to the end of the handlebar weight on many BMW models.

NOTE:

Some bikes may require a combination of parts from option A,B and C. For additional fitting assistance:

email: info@barkbusters.net

Bar Side View

