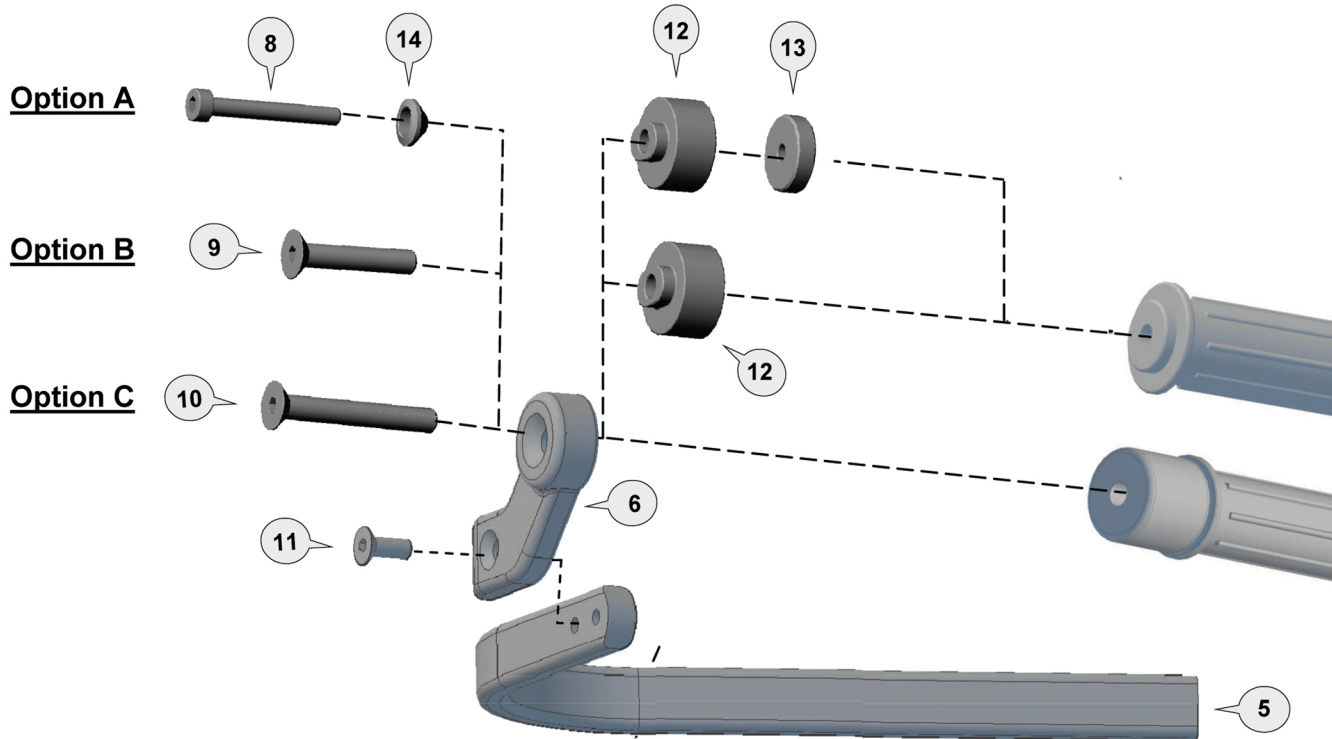


LEFT SIDE



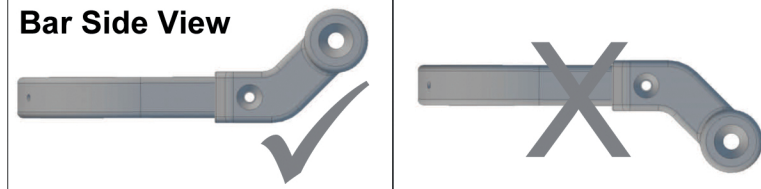
Option A
Handlebars with fixed 6mm internal thread. Triumph models with 5mm thread we recommend to drill and tap to 6mm.

Option B
Handlebars with fixed 8mm internal threads (must remove handlebar end weights). Fits many Kawasaki models with handlebar protruding past the end of the grips when bar end weight is removed.

Option C
Handlebars with fixed 8mm internal thread (must leave handlebar end weight in place). Fits to the end of the handlebar weight on many BMW models.

NOTE:
Some bikes may require a combination of parts from option A,B and C. For additional fitting assistance:
email: info@barkbusters.net

Bar Side View



Barkbusters

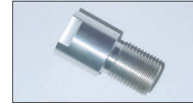
www.barkbusters.net

ADAPTOR KIT for
(to be used with **STM-007-01** or **S7**)

IMPORTANT:

This adaptor kit is to be used in conjunction with the instructions and handguard kit **STM-007-01** or **S7**.

15 Threaded Adaptor



PN: BESF3

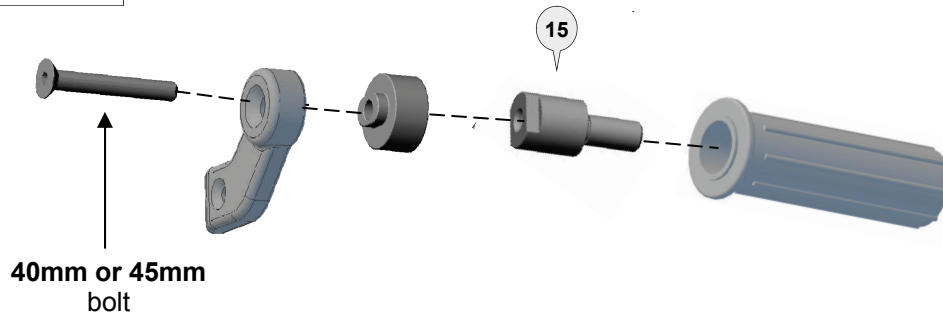
Pcs.

2

INSTRUCTIONS:

- Ensure bolt M8x40mm or M8x45mm Flat Head is used.
- A medium thread locking compound applied to the Threaded Adaptor (15) is recommended.
- Remove Original bar end weight.
- Insert the Threaded Adaptor (15).
- Tighten threaded adaptor (15) into the handlebar to 20 Nm (14.8 lbf ft).

LEFT SIDE



INS-B-083

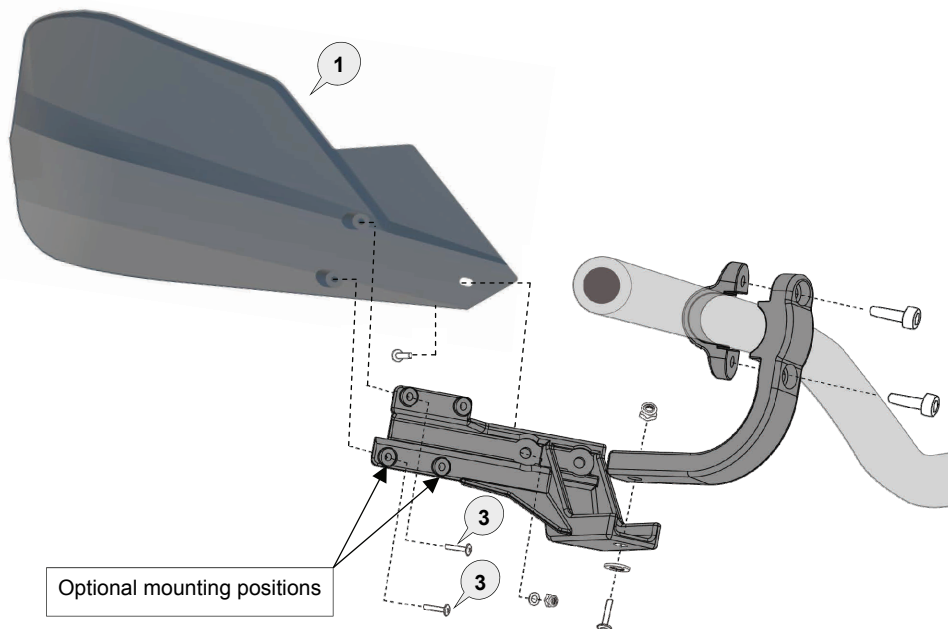


Phone: +61 (0)2 4271 8244
Email: info@barkbusters.net
Web: www.barkbusters.net

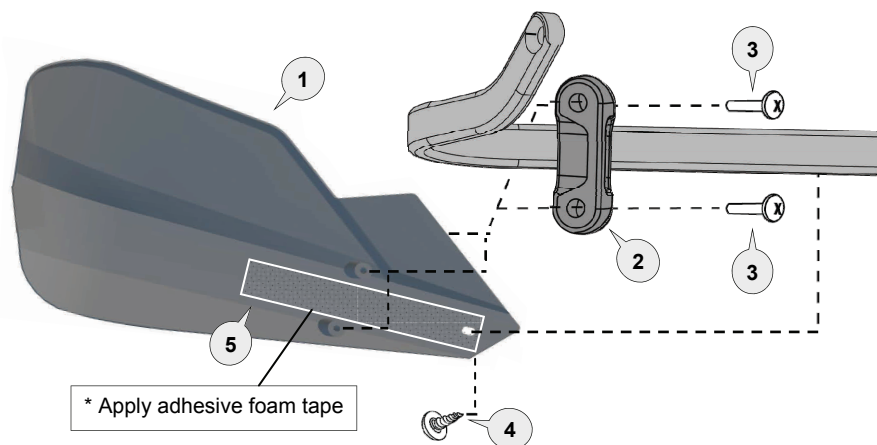
Barkbusters

FITTING INSTRUCTIONS for Carbon Fibre Handguard

Option for fitting with **Single Point Handlebar Mount** (sold separately)



Option for fitting with Barkbusters **Aluminium Backbone** (sold separately)



1 Carbon Fibre Guard



PN: BCF

Pcs. 2 (L/R)

2 Saddle



PN: Storm-Saddle

Pcs. 2

3 Pan Head Screw



PN: M4x10PHZP

Pcs. 4

4 Screw



PN: STSZ811MX11

Pcs. 2

5 Foam Tape



PN: FT1

Pcs. 2

CAUTION:

Installation of the handguard is safety-relevant work and can be complicated. We recommend the installation be performed by a motorcycle service technician. Rideworx accepts no liability for damages caused by improper mounting. All screws, bolts and nuts, including all replacement hardware provided by Rideworx, should be tightened to the torque specified in the below table. After the first 50km of riding check all screws, bolts and nuts are tight. We recommend a medium strength liquid thread lock product on screw (3).

WARNING:

Check operation of all handlebar controls, specifically the throttle, front brake, kill switch and clutch to ensure they are operating correctly and are in accordance with the OEM specifications. Do not ride the motorcycle if any controls are not operating correctly. Check periodically that all bolts are tight.

Disclaimer:

A failure to follow these fitting instructions could cause serious injury, death or property damage. These handguards are intended solely for use with motorcycles/ATV/snowmobiles/scooters that have not been modified. They are not designed to prevent injury or death while riding or in an accident or crash. The user must ensure that all controls are free of the handguards every time that they ride. By installing and/or using this product you acknowledge that you accept these terms and have followed the fitting instructions.



Phone: +61 (0)2 4271 8244
Email: info@barkbusters.net
Web: www.barkbusters.net