

# Barkbusters

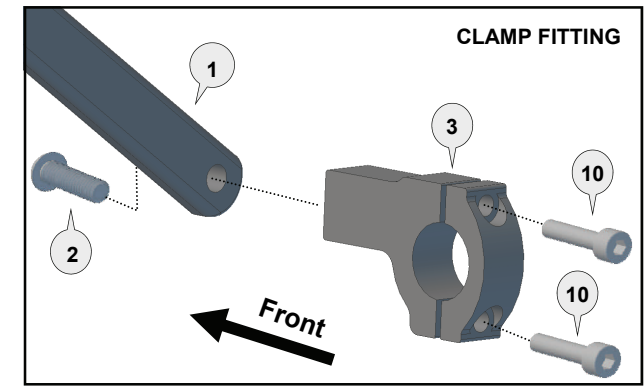
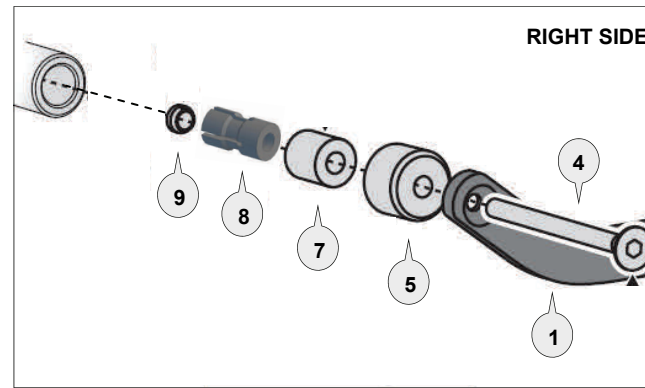
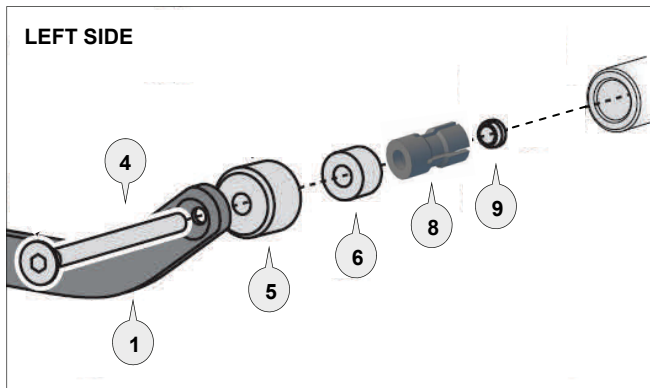
www.barkbusters.net

**FITTING INSTRUCTIONS for  
HONDA XL600/650/700V Transalp**

## Preparation

**Remove original handlebar end weight with internal weight parts if installed.**

Left side roll back hand grip about 20mm and depress the retaining clips through the two holes in the handlebar with a screwdriver. There is one top and one bottom. On right side remove throttle twist grip. Leave handlebar weight connected to the internal weight to help with removing the internal parts. Pull on weight while pressing clips through hole.



## **Fitting Procedure**

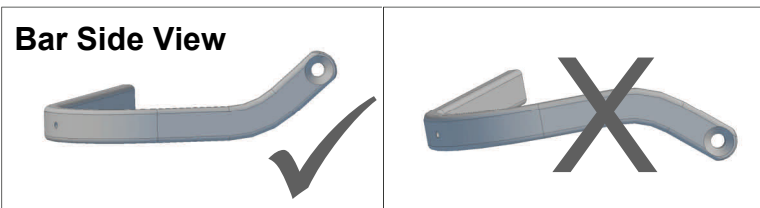
Loosely assemble the clamp to the handlebar as per diagram. Attach the handguard backbone with applicable parts to the handlebar end. Attach inner end of backbone to the clamp. Position backbone so it is horizontal when viewed from the side and tighten all bolts in the following order (4), (10) then (2).



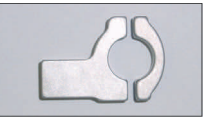
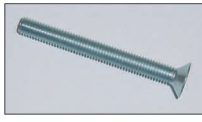


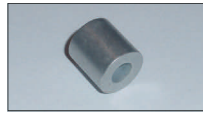
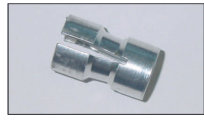


**Important:** Use the specified torque setting over page.

## **Personalise Your Protection**

Guard options sold separately

<b>JET</b>	JET-003
<b>VPS</b>	VPS-003
<b>Storm</b>	STM-003
<b>CARBON</b>	BCF-003



<p><b>1</b> Aluminium Bar</p>  <p>PN: BAR-V-051 Pcs. 1 Left &amp; 1 Right</p>	<p><b>2</b> Button Head Bolt 25mm</p>  <p>PN: M8x25BHCSZP Pcs. 2</p>	<p><b>3</b> Clamp</p>  <p>PN: CLAMP-22 Pcs. 1 pair</p>	<p><b>4</b> Flat Head Bolt 75mm</p>  <p>PN: M8x75FHCSZP Pcs. 2</p>	<p><b>5</b> Bar End Weight</p>  <p>PN: BEW35 Pcs. 2</p>	<p><b>6</b> Spacer 17mm</p>  <p>PN: SP17-20-8 Pcs. 1</p>	<p><b>7</b> Spacer 20mm</p>  <p>PN: BSSRT20 Pcs. 1</p>	<p><b>8</b> Expander</p>  <p>PN: BBE17 Pcs. 2</p>
<p><b>9</b> Taper Nut</p>  <p>PN: NUT12 Pcs. 2</p>	<p><b>10</b> Socket Head Bolt 20mm</p>  <p>PN: M6x20SHCSZP Pcs. 4</p>						

Recommended Torque Settings	
M6	10 Nm (7.4 lbf ft)
M8	20 Nm (14.8 lbf ft)

**CAUTION:**

Installation of the handguard is safety-relevant work and can be complicated. We recommend the installation be performed by a motorcycle service technician. Rideworx accepts no liability for damages caused by improper mounting. All screws, bolts and nuts, including all replacement hardware provided by Rideworx, should be tightened to the torque specified in the below table. After the first 50km of riding check all screws, bolts and nuts are tightened to the correct torque. We recommend a medium strength liquid thread lock product on all fasteners.

**WARNING:**

It is important there is a working clearance (approx 3mm) between the throttle grip end and the handguard to ensure a free closing throttle. Check operation of all handlebar controls, specifically the throttle, front brake, kill switch and clutch to ensure they are operating correctly and are in accordance with the OEM specifications. Do not ride the motorcycle if any controls are not operating correctly. Check periodically that all bolts are tight.



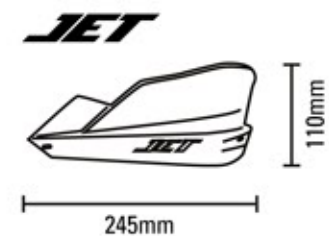
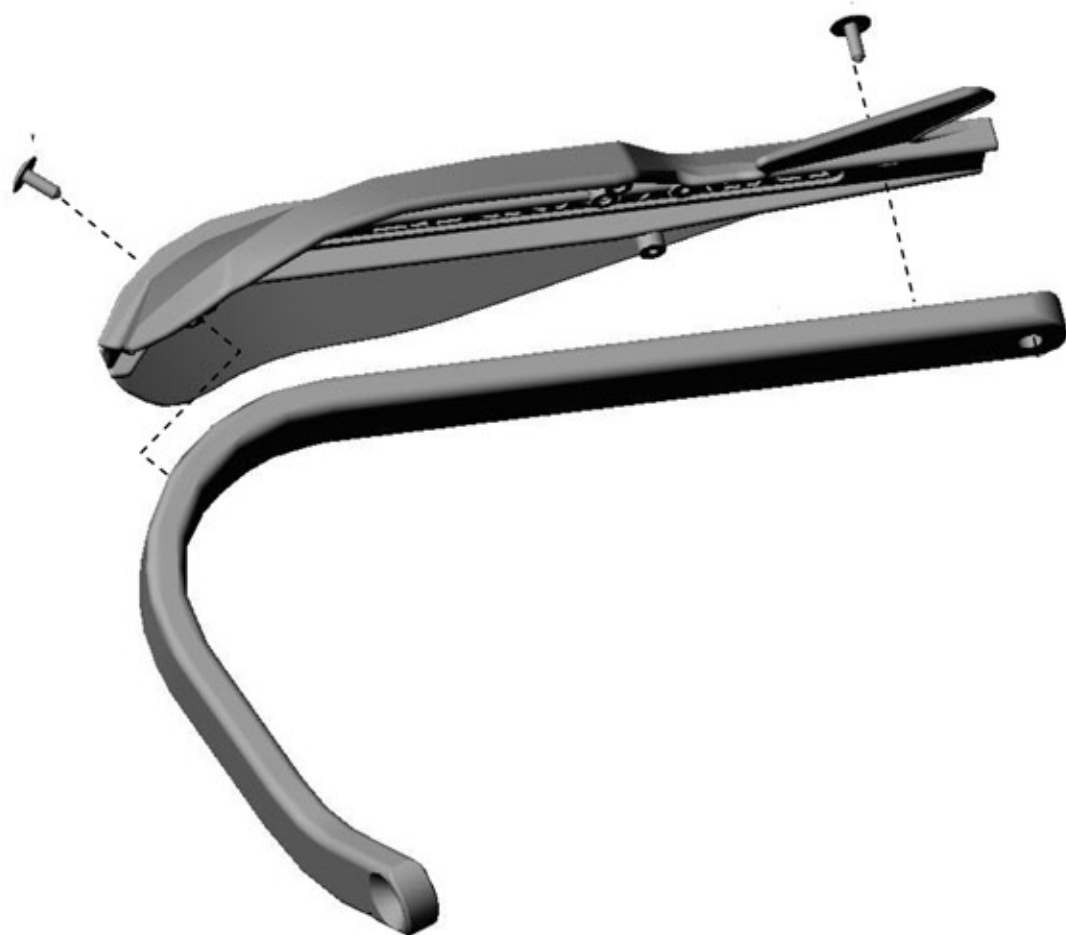
Phone: +61 (0)2 4271 8244  
Email: info@barkbusters.net  
Web: www.barkbusters.net



**Disclaimer:**

A failure to follow these fitting instructions could cause serious injury, death or property damage. These handguards are intended solely for use with motorcycles/ATV/snowmobiles/scooters that have not been modified. They are not designed to prevent injury or death while riding or in an accident or crash. The user must ensure that all controls are free of the handguards every time that they ride. By installing and/or using this product you acknowledge that you accept these terms and have followed the fitting instructions.

## ESEMPIO DI AGGANCIO DELLE PLASTICHE JET



## ***HONDA Handlebar Weight Removal***

**Remove original handlebar end weight and internal weight parts.**

1. Left side, roll back hand grip and depress the two retaining clips through the holes in the handlebar with a screwdriver. There is one top and one bottom.
2. To access holes on Right side, unscrew throttle housing and separate the two halves enough to slide the twist grip in from the end.
3. Leave handlebar weight connected to the internal weight to help with removing the internal parts.
4. Pull on weight while pressing clips through hole.
5. The above steps will leave a hollow handlebar for mounting handguard.

*(see images opposite)*

