



Read these instructions carefully and thoroughly before beginning work. Dealers if installing this windshield for a customer please give them this manual. It contains information needed to properly maintain and use this product.



**Attention:**

Special notes and cautionary measures which can prevent damage to the accessory or motorcycle.



**Note:**

Tips for facilitation of operation, control and adjustment, as well as maintenance work.



Figure 1

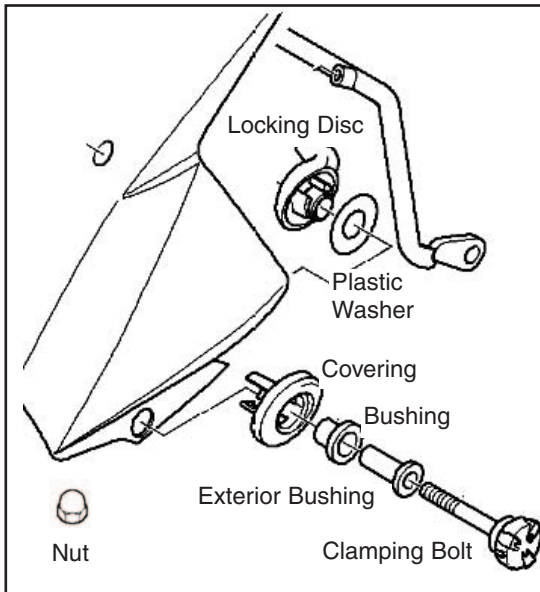


Diagram A

**CONTENTS OF KIT**

Item	Description	Qty.
1	VStream® Windshield	1

**TOOL REQUIRED:**

- 3mm Hex Key
- 10mm Wrench

**PREPARATION**



All Stock hardware will be re-used. Keep Left and right lower assemblies separate when removing hardware from stock windshield.

1. Remove the stock windshield and attaching hardware from the sides and front of windscreen. **Figure 1, Diagram A.**



Figure 2

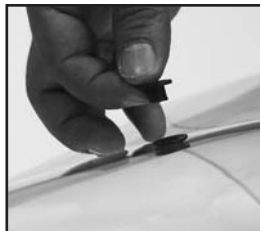


Figure 3



Figure 4



Figure 5

## INSTALLATION



**Note:** All parts are in same location as original.

1. Install the Left and Right side Cap Assemblies to the ZTechnik Windshield. **Diagram A, Page 1**
2. Install one rubber grommet and one bushing into each of the four holes on the front the ZTechnik windshield. **Figure 2 and 3**
3. Install the ZTechnik Windshield using the stock hardware.
4. Use the stock M5 x 16 Fillister Head Screws to secure the windshield at the two lower mount holes. **Figure 4**
5. Use the stock M5 x 18 Fillister Head Screws to secure the windshield at the two upper mount holes.
6. Install the side hardware as illustrated in **Diagram A, Figure 5**
7. Firmly tighten all hardware.

## MAINTENANCE

To clean the screen, wash with a clean soft cloth, plenty of warm water and if necessary, a non-abrasive soap such as dishwashing liquid. Flannel or soft chamois make good cleaning cloths. **Paint, glue residue or grease removal:** Moisten cotton with Naphtha or Turpentine followed by a wash as above. National Cycle Shield Wash™ makes a good daily cleaner and comes with a handy travel size bottle. N1401 Shield Wash is safe for helmet visors.

Do not clean polycarbonate in hot sun or high temperatures. Do not clean the screen with glass cleaners. Do not use rain protective products on the screen other than National Cycle brand Rain Slick® (Part No. N1410). Do not allow brake fluid, alcohol, or strong solvents to contact the screen.



**ZTechnik 3-Year Limited Warranty**  
Register your windshield on Line at: [www.ZTechnik.com](http://www.ZTechnik.com)

ZTechnik hereby warrants to the original registered owner of a ZTechnik polycarbonate windshield for a period of three years from the date of purchase against breakage. This limited warranty is expressly limited to the replacement of the polycarbonate windscreen. This limited warranty does not include scratches, coating failure, cosmetic wear and tear, replacement of hardware, or any consequential damages or expenses including labor cost of installation, removal and/or replacement, inconvenience, inbound freight expenses or damage to any other component of the motorcycle or any other accessories. Certain chemicals, generally known as acidic hydrocarbons, are known to cause polycarbonate damage and will not be covered under this limited warranty. Please refer to the cleaning instructions supplied with all ZTechnik windshields.

Visit [www.ZTechnik.com](http://www.ZTechnik.com) for further details or call or write ZTechnik / PO Box 158 / Maywood, IL 60153 / 708-3430400