

**Attention**



Special notes and cautionary measures which can prevent damage to the accessory or motorcycle.

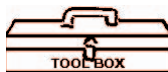
**Note:**



Tips for facilitation of operation, control and adjustment, as well as maintenance work.

**PARTS LIST FOR N7046**

Part	Description	Qty.
70-710090F-000	Front of Front With Applied, Foam Tape	1
Template included with this installation instruction		
<b>Parts from Bag #501 used in front of front installation</b>		
42-450011-001	Nut, Hex	2
49-490531-000	Washer	2
77-770200-000	Alcohol Wipe	1
Wrapped with instruction		



**TOOLS REQUIRED:**

- Flexible Measuring Tape
- Power Drill with 3/16" Drill Bit
- Grease Pencil or Crayon
- Cellophane Tape
- 3/8" Open End Wrench
- Thin piece wood that fits between Fender & Tire
- Template located on page 3

**Parts from Bag #501 used in rear of front installation**

70-710090R-000	Rear of Front	1
42-423050-000	Nut, Nylok	2
49-490531-000	Washer	2
55-568216-000	Screw M5	2

**PREPARATION**

The front of front fender tip combines a hidden screw, with 3M tape installation. Please follow the instructions below for proper installation.

Allow time for the 3M® brand quality tape to cure for 24 hours at 70-90° F (21-32° C) before washing, waxing or riding the motorcycle.

1. Thoroughly wash fender where Fender Tip will be installed. Area where Tip will mount should be free of all dirt, wax, soap or other residue. The 3M® brand tape will adhere extremely well when applied to a clean area.

**INSTALLATION**

1. Find Center of the Fender
  - A. To find center of fender, place a measuring tape across fender. Use easy to find points for the start and end of this measurement. Divide this measurement by two, and mark the corresponding spot on the Tape. **(Tape measure, Grease Pencil) Figure 1**
2. Place Template
  - A. Align the **FRONT LOWER EDGE OF TEMPLATE** to be flush with the **LOWER EDGE OF THE FENDER**, matching center line of template with marked center point. Be certain to align front lower edge of template. Do not be concerned if outer edges do not match. Secure the template onto the fender with tape. **(Tape) Figure 1**
3. Do a visual alignment.
4. Drill Center Holes. Area between front fender and tire is tight. **DO NOT** drill into tire. Place a thin piece of wood between the fender and the tire to avoid tire damage. **(Power Drill with 3/16" Drill Bit.) Figure 2**
5. Install Fender Tip
  - A. Remove liner from tape. Position Fender Tip at edge of fender and insert mounting studs through holes in fender.
  - B. Squeeze sides of tip against fender.
  - C. From inside fender, place a Washer onto the stud and secure with Hex Nut.
  - D. Carefully tighten nut with wrench. The nut should be tight enough to avoid rattles.
  - E. Check the tightness of the nuts regularly.



Figure 1

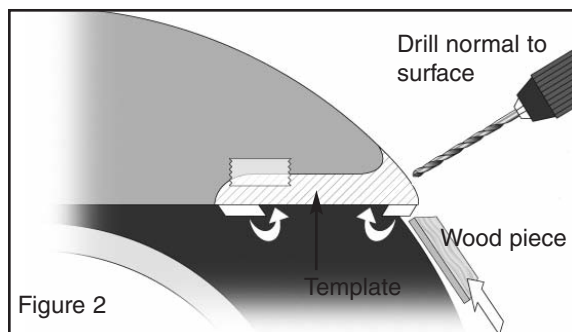


Figure 2



Figure 3



**INSTALLATION INSTRUCTIONS**  
**For Harley-Davidson® FLT**  
 N7046, Rear of Front Fender Tip

**PARTS LIST FOR N7046**

Part	Description	Qty.
<b>Parts from Bag #501 used in rear of front installation</b>		
70-710090R-000	Rear of Front	1
42-423050-000	Nut, Nylok	2
49-490531-000	Washer	2
55-568216-000	Screw M5	2



**TOOLS REQUIRED:**

- Flexible Measuring Tape
- Power Drill with 3/16" Drill Bit
- Grease Pencil or Crayon
- Cellophane Tape
- 3/8" Open End Wrench
- Thin piece wood that fits between Fender & Tire
- Template located on page 3

**PREPARATION:**

1. Position motorcycle securely on its centerstand or a work stand.
2. Clean the fender thoroughly.

**INSTALLATION**

1. Cover the area of the fender where the Fender Tip will mount with a thin layer of masking tape. Make certain the tape is smooth.
2. Carefully, position the Rear of Front Fender Tip on the fender, make sure the Tip is centered on the fender. **Figure 1**
3. Mark the hole locations with the marking pen. **Figure 2**
4. Remove the Fender Tip.




Figure 1



Figure 2

5. To avoid the drill slipping on the fender, use the Center Punch to make an impression at the center of your mark. Drill holes through the fender at the marks. **Figure 3 and 4**

 **Due to close clearances between front fender and tire, place block of wood between the fender and the tire to avoid tire damage. Figure 4**

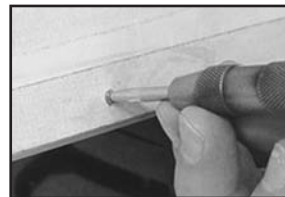


Figure 3

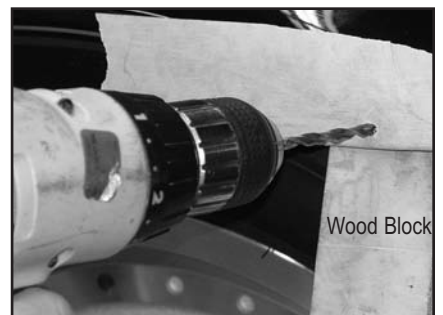


Figure 4

Hold the drill so the drill bit goes into the fender straight.

6. Remove the masking tape.

7. Position the Fender Tip, and squeeze fender toward tip. Insert the Screws from the outside. Install the Washers and Nuts to the inside. Tighten securely. **Figure 5 and 6**

**MAINTENANCE**

Clean and polish with a chrome cleaner/polish. Check tightness of the nuts regularly.

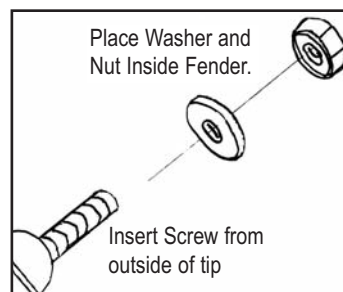


Figure 5



Figure 6

# National Cycle Fender Tip, front of front fender

## Template for N7046

